

IS 3180 DCS

Digital Control Solution - Occupancy Detector



The IS 3180 DCS mounts on a wall and is designed to control a variety of building spaces. The sensor is part of the STEINEL family of high performance commercial occupancy sensors. IS 3180 DCS sensors are passive infrared and respond to heat radiated from human body motion. After a period of time where no occupancy has been detected, the sensor switches lighting OFF.

The Digital Control Solution (DCS) group of sensors are available in multiple technologies for the control of heating, ventilation and air conditioning as well as lighting. Time saving wireless commissioning is accomplished via Bluetooth connection from a Smart Phone or Tablet to a DCS Controller, which communicates to the sensor by the 2 wire bus.

Applications

Wall mount applications where 180° coverage is needed indoors and outdoors, such as aisles, corridors, car garages, underground parking, outer perimeters and facades.

Project Name:

Location:

72496	65330	69196	
80208			

IS 3180 DCS Specifications

Item No.	72496 IS 3180 DCS
Accessories	65330 WGC wire guard cage 69196 DCS CONNECT 80208 DCS Controller
Voltage	12 - 22.5 VDC (6 mA)
Device Equivalent	3
Mounting	Wall
Sensing Technology	2 infrared pyroelectric detectors (PIR)
Light Level Setting	.2 - 200 fc / 2 - 2,000 lux
Environment	IP54 rated, -40°F to +158°F, -40°C to +70°C
Installation Height	6.5 - 13 ft, 2 - 4 m
Max. Coverage at 8 ft. Mounting Height	180° detection angle, 90° angle of aperture, tangential: 54 ft. (16 m.) radial: 15 ft. (5 m.)
Lens Design	448 switching zones, 7 detection levels
Dimensions (LxWxD)	3.74 x 3.74 x 3.11 in. 95 x 95 x 79 mm.
Warranty	5 years

Key Features:

- Low voltage (12 - 23 VDC) digital sensor for use with a DCS Controller
- Wireless configuration via Steinel App
- Polarity Insensitive 2 wire bus
- 180° coverage with up to 42 ft radial reach and up to 65 ft tangential reach
- Shrouds allow users to easily customize the coverage area; the moving lens (mechanical adjustment) fine tunes coverage even further
- 2 pyroelectric detectors with 448 switching zones provides sensitive motion detection
- Automatically adjusts to temperature changes keeping sensitivity and coverage consistent

PIR

Passive Infrared Technology



180° Coverage

IP54

IP54 Rated

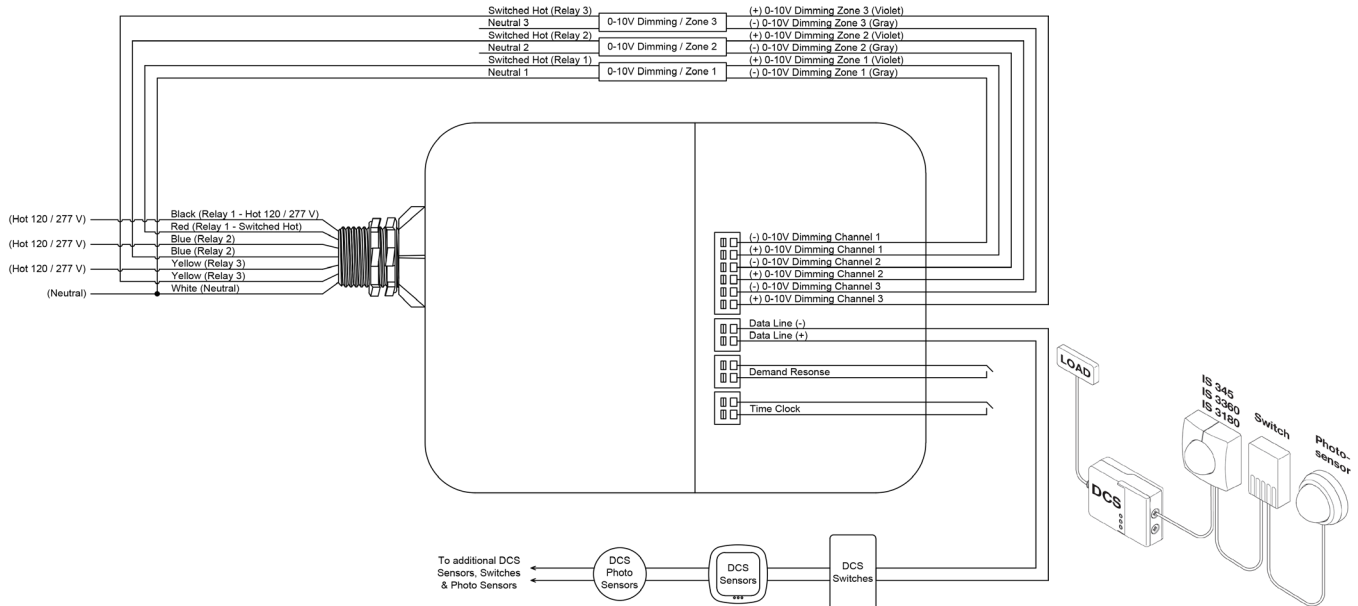
Wall Mount

Mounting

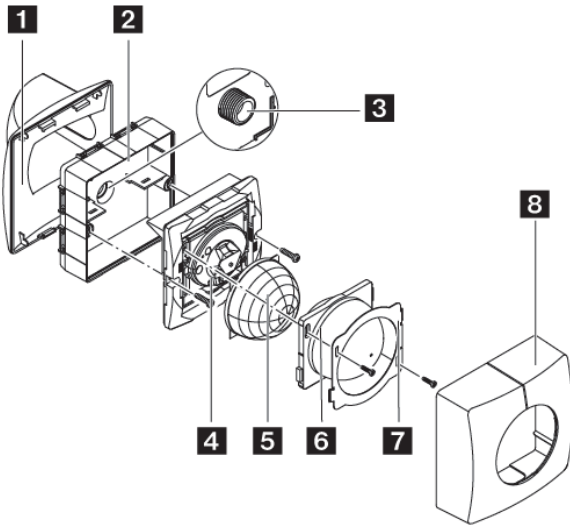
IS 3180 DCS

Digital Control Solution - Occupancy Detector

Wiring

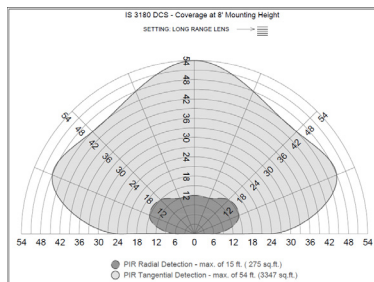


Product Overview



- 1 Fixture Mount Adapter not used with IS 3180 DCS
- 2 Back housing
- 3 1/2" (trade size) threaded nipple
- 4 Front housing
- 5 Shroud
- 6 Lens
- 7 Press plate
- 8 Design cover

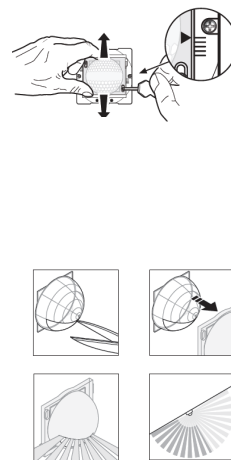
Coverage



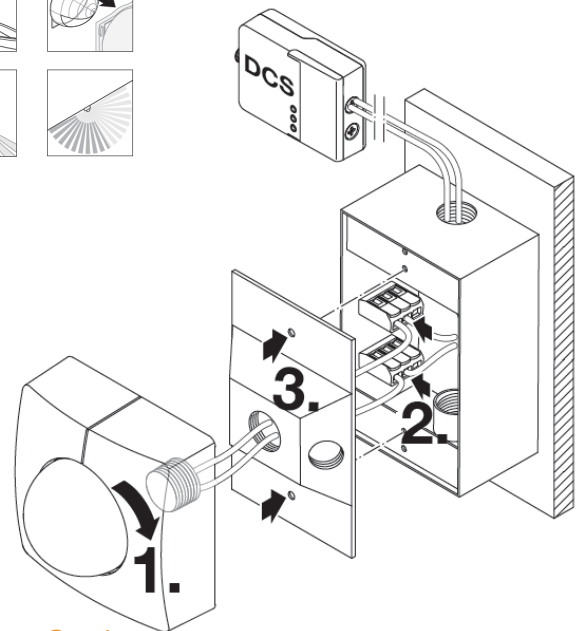
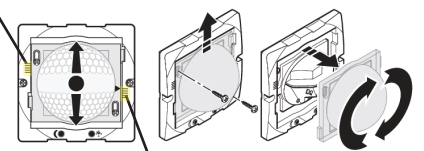
IS 3180 DCS Detection Range Settings	
Max Detection @ 8 ft. Mounting Height	
Long Range Lens	
Tangential	Radial
33	12*
54	15
45	18
33	15
27	15
Short Range Lens	
Tangential	Radial
39	15
33	15
27	12
21	12
18	12

Mounting

Short Range Lens Setting



Long Range Lens Setting



* Factory Setting